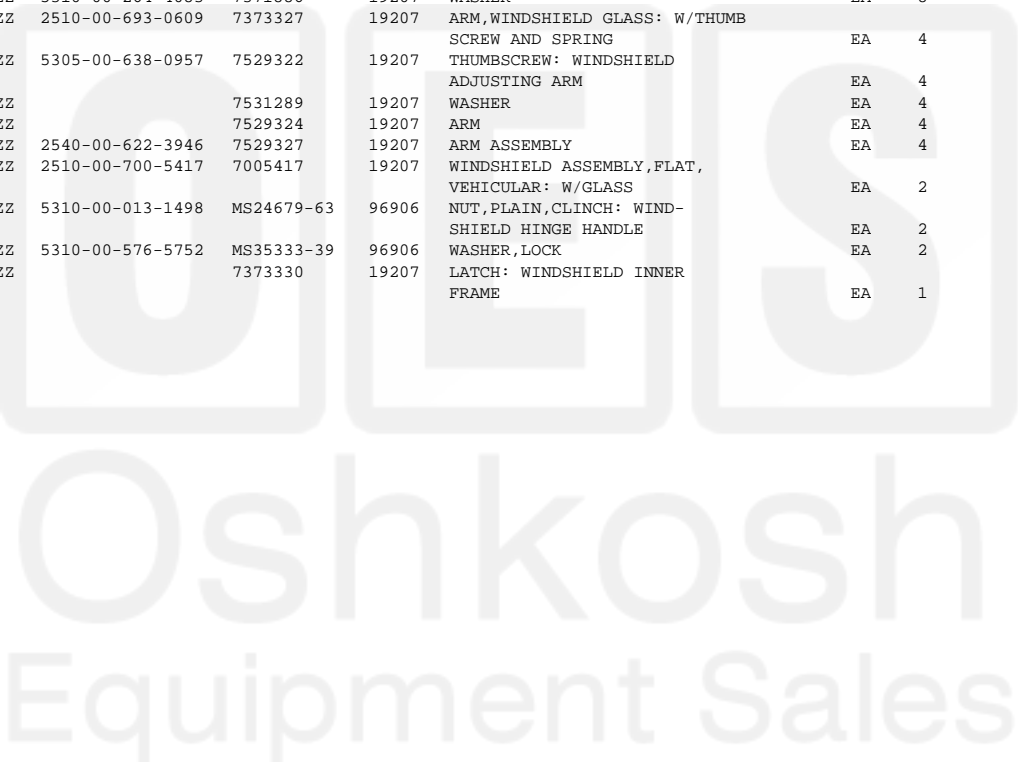
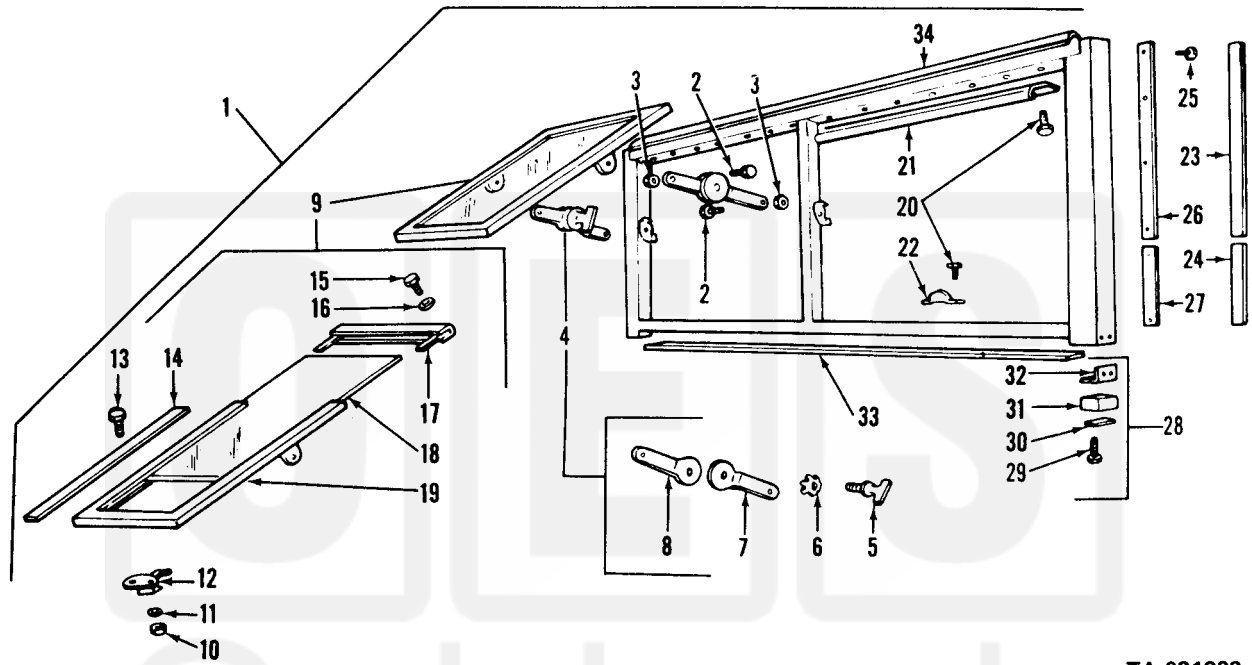


Current part is item (4) on diagram. Available at [www.oshkoshequipment.com](http://www.oshkoshequipment.com)

(1) (a) FIG. NO.	(2) (b) ITEM NO.	(3) SMR CODE	(4) NATIONAL STOCK NUMBER	(5) PART NUMBER	(6) DESCRIPTION	(7) U/M	(8) INC IN UNIT
1802-FENDERS,RUNNING BOARDS WITH MOUNTING AND ATTACHING PARTS,OUT- RIGGERS,WINDSHIELD, GLASS, ETC.							
157	12	PAOZZ	5310-00-959-7600	MS51922-5	96906 NUT,SELF-LOCKING	EA	8
157	13	PAOZZ	2510-00-420-5049	7529297	19207 PLATE,HANDLE,REINFORCED	EA	2
157	14	PAOZZ	5305-00-957-1497	MS35191-293	96906 SCREW	EA	8
157	15	PAOZZ	5340-00-621-2591	7397853	19207 HANDLE	EA	2
157	16	PAOZZ	5305-00-969-6914	MS24617-10	96906 SCREW,MACHINE: COWL VENTILATOR	EA	18
157	17	PAOZZ	2510-00-405-9756	7397721	19207 SCREEN: COWL VENTILATOR	EA	2
157	18	PAOZZ	5315-00-839-5820	MS24665-134	96906 PIN,COTTER	EA	2
157	19	PAOZZ	5315-00-453-9349	7397723	19207 PIN,HINGE	EA	2
157	20	PAOZZ	2510-00-546-4759	7529312	19207 VENTILATOR: COWL,CAB	EA	2
157	21	PAOZZ	9390-00-737-3317	7373317	19207 RUBBER,SPECIAL,SHAPED SECTION: RUBBER,COWL VENTILATOR DOOR	EA	2
157	22	PAOZZ	2540-00-459-3194	7397850	19207 COMPARTMENT,GLOVE	EA	1
157	23	PAOZZ	5330-00-693-0611	7373339	19207 SEAL,RUBBER,SPECIAL	EA	1
157	24	PAOZZ	2510-00-737-3340	7373340	19207 DOOR: GLOVE COMPARTMENT,W/HANDLE AND HINGE	EA	1
157	25	PAOZZ	2510-00-741-5856	7415856	19207 REINFORCEMENT: PILLAR GUSSET, VERTICAL	EA	2
158	1	AOZZ		7748623	19207 WINDSHIELD ASSEMBLY	EA	1
158	2	PAOZZ	5305-00-350-1210	7374809	19207 SCREW	EA	8
158	3	PAOZZ	5310-00-264-4083	7371886	19207 WASHER	EA	8
158	4	PAOZZ	2510-00-693-0609	7373327	19207 ARM,WINDSHIELD GLASS: W/THUMB SCREW AND SPRING	EA	4
158	5	PAOZZ	5305-00-638-0957	7529322	19207 THUMBSCREW: WINDSHIELD ADJUSTING ARM	EA	4
158	6	XAOZZ		7531289	19207 WASHER	EA	4
158	7	XAOZZ		7529324	19207 ARM	EA	4
158	8	PAOZZ	2540-00-622-3946	7529327	19207 ARM ASSEMBLY	EA	4
158	9	PAOZZ	2510-00-700-5417	7005417	19207 WINDSHIELD ASSEMBLY,FLAT, VEHICULAR: W/GLASS	EA	2
158	10	PAOZZ	5310-00-013-1498	MS24679-63	96906 NUT,PLAIN,CLINCH: WIND- SHIELD HINGE HANDLE	EA	2
158	11	PAOZZ	5310-00-576-5752	MS35333-39	96906 WASHER,LOCK	EA	2
158	12	XBOZZ		7373330	19207 LATCH: WINDSHIELD INNER FRAME	EA	1



Current part is item (4) on diagram. Available at [www.oshkoshequipment.com](http://www.oshkoshequipment.com)



TA 031233

Figure 158. Windshield assembly.